

G2100B Push Lock

Features

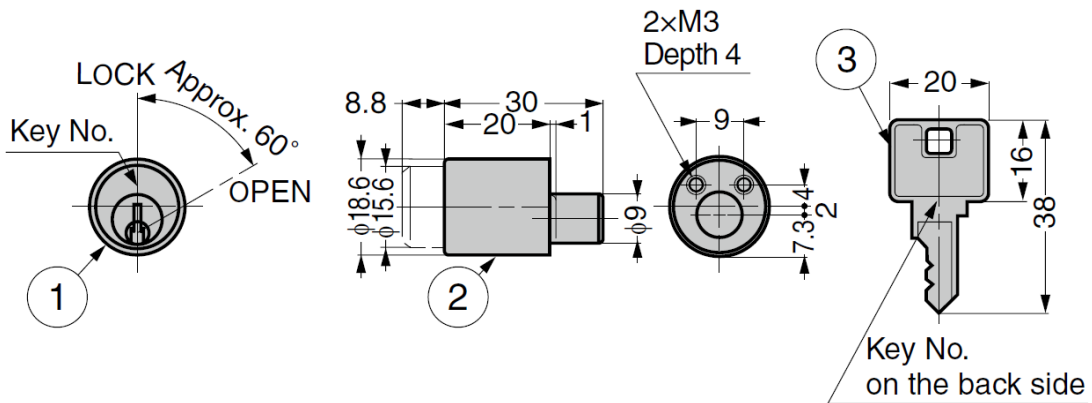
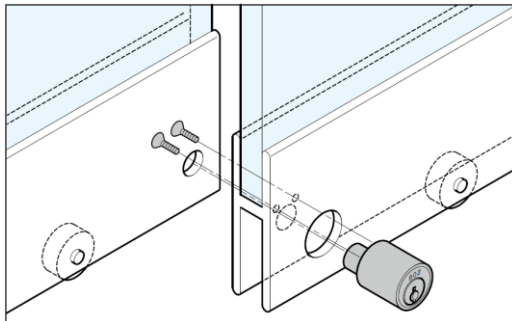
- For metal framed glass doors or sheet metal double sliding doors
- Push the cylinder to lock
- Insert and turn key to unlock
- 12 key changes available
- Keys can be shared with **G2100 Lock Series**

Parts Included

- Countersunk head screw M3×5



Installation



No.	Part Name	Material	Finish
①	Body	Zinc Alloy (ZDC)	Nickel
②	Cylinder Case	Brass	
③	Key		Nickel
-	Key Ring	Stainless Steel (SUS304)	Nickel

Part No.	Key Type	Cylinder Diameter	Thickness
G2100B-B	Keyed Differently	18.6	20
G2100B-D	Keyed Alike		